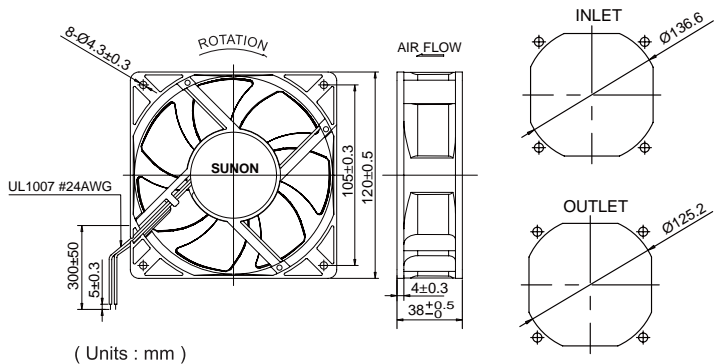
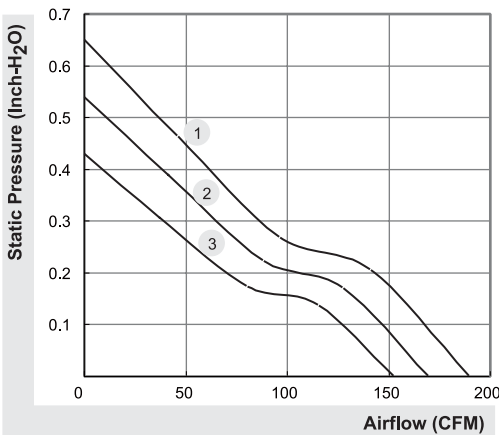


120x120x38 mm

153~190 CFM



| Model | P/N | Bearing ● 2BALL ○ Sleeve | Rating Voltage (VDC) | Power Current (AMP) | Power Consumption (WATTS) | Speed (RPM) | Air Flow (CFM) | Static Pressure (Inch-H ₂ O) | Noise (dBA) | Weight (g) | Curve |
|---------------|--------|--------------------------------|----------------------|---------------------|---------------------------|-------------|----------------|---|-------------|------------|-------|
| PMD1212PMB1-A | (2).GN | ● | 12 | 1.6 | 19.2 | 4200 | 190 | 0.65 | 54 | 330 | 1 |
| PMD1212PMB2-A | (2).GN | ● | 12 | 1.2 | 14.4 | 3800 | 170 | 0.54 | 51 | 330 | 2 |
| PMD1212PMB3-A | (2).GN | ● | 12 | 0.83 | 10.0 | 3400 | 153 | 0.43 | 48 | 330 | 3 |
| PMD2412PMB1-A | (2).GN | ● | 24 | 0.76 | 18.2 | 4200 | 190 | 0.65 | 54 | 330 | 1 |
| PMD2412PMB2-A | (2).GN | ● | 24 | 0.57 | 13.7 | 3800 | 170 | 0.54 | 51 | 330 | 2 |
| PMD2412PMB3-A | (2).GN | ● | 24 | 0.42 | 10.1 | 3400 | 153 | 0.43 | 48 | 330 | 3 |
| PMD4812PMB1-A | (2).GN | ● | 48 | 0.4 | 19.2 | 4200 | 190 | 0.65 | 54 | 330 | 1 |
| PMD4812PMB2-A | (2).GN | ● | 48 | 0.3 | 14.4 | 3800 | 170 | 0.54 | 51 | 330 | 2 |
| PMD4812PMB3-A | (2).GN | ● | 48 | 0.22 | 10.6 | 3400 | 153 | 0.43 | 48 | 330 | 3 |



*All model could be customized. Please contact with Sunon Sales.

*Specifications subject to change without notice. Please Visit SUNON web site at <http://www.sunon.com> for update information.