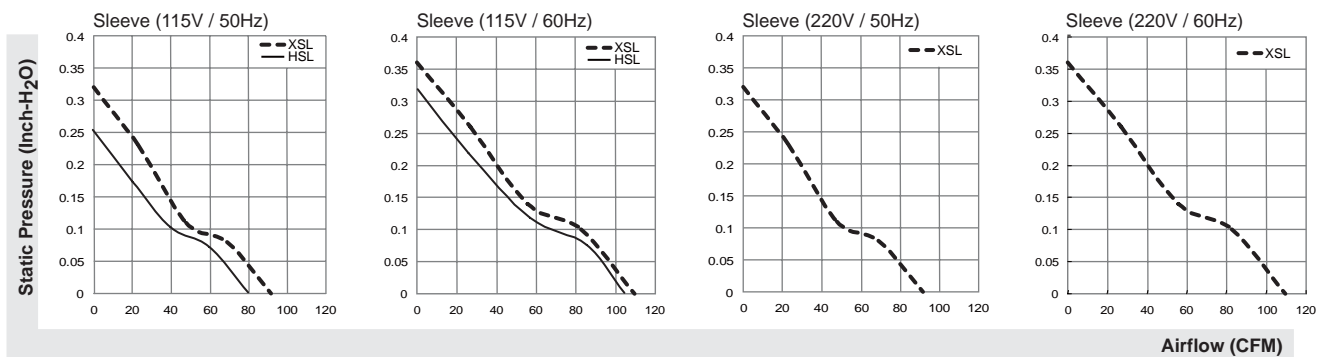


Skeleton AC Fan 80~110CFM

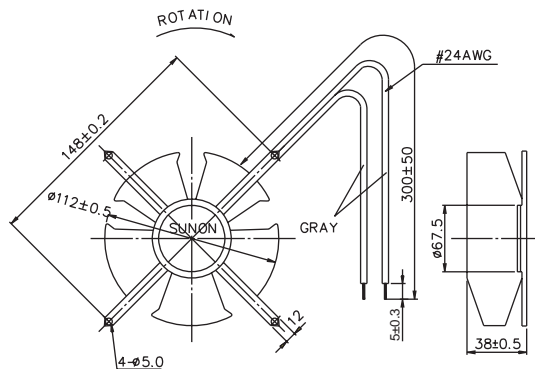


Model	P/N	Bearing ● VAPO ◎ BALL ○ Sleeve	Rating Voltage (VAC)	Freq. (Hz)	Power Current (AMP)	Power Consumption (WATTS)	Speed (RPM)	Air Flow (CFM)	Static Pressure (Inch-H ₂ O)	Noise (dBA)	Weight (g)
SP100-4F	1123XSL.GN	○	115	50/60	0.26/0.24	22/20	2600/3000	92/110	0.32/0.36	43/48	435
SP101-4F	1123HSL.GN	○	115	50/60	0.21/0.18	20/18	2550/2900	80/105	0.25/0.32	39/45	435
DP200-4F	2123XSL.GN	○	220-240	50/60	0.14/0.12	22/21	2700/3100	90/110	0.32/0.37	44/49	435

Frame : Aluminum alloy



UNITS:mm



*All model could be customized on voltage or any other requirements to fit your need.

*Specifications subject to change without notice. Please Visit SUNON web site at <http://www.sunon.com> for update information.