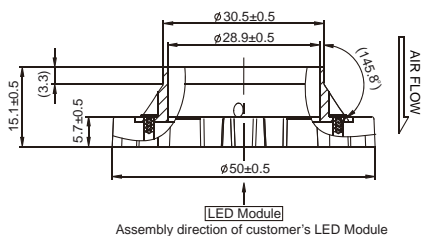
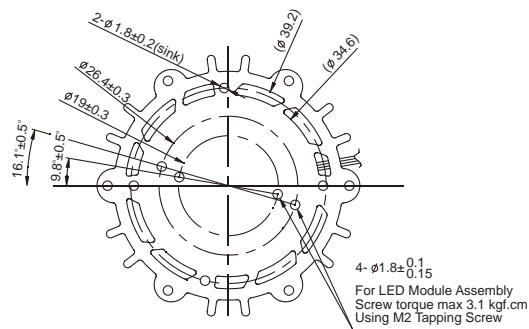
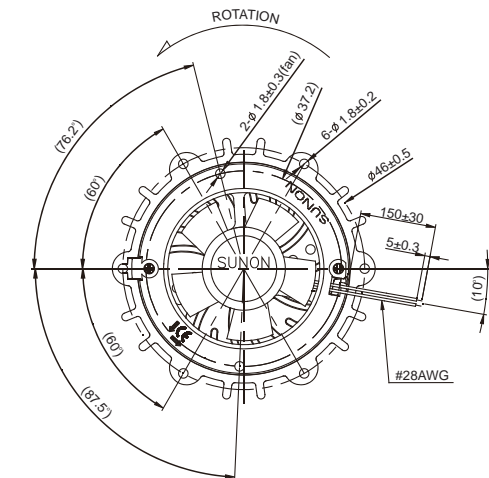


15W LED MR16 照明の放熱モジュール

- 優れた音声品質
- LED電球の使用寿命を延ばす
- 高信頼性



Specification	
Model No.	LA001-002A99LY
Module Dimension (mm)	φ 50 x15.1
Weight (g)	19.3
Thermal Resistance (°C / Watts)	4.5
Cooling Module Noise @1M, dB(A)	16.5
Rated Voltage (V)	12
Power Consumption (W)	0.30
Fan Speed (with Heat Sink), (RPM)	4600
Heat Sink Material	AL1070
Fan Model No.	HA30101V3-E00U-A99
Safety	UL / CUR / TUV / CE



UNIT: mm