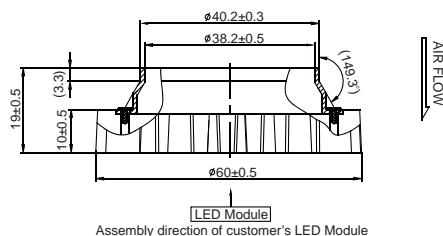
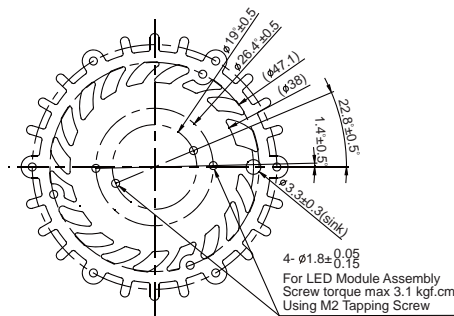
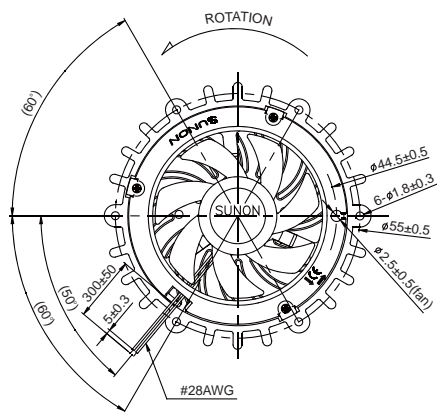


25W LED A19 照明の放熱モジュール

- 優れた音声品質
- LED電球の使用寿命を延ばす
- 高信頼性

Specification	
Model No.	LA002-001A99LY
Module Dimension (mm)	φ 60 x 19
Weight (g)	39.5
Thermal Resistance (°C / Watts)	2.8
Cooling Module Noise @1M, dB(A)	15.7
Rated Voltage (V)	12
Power Consumption (W)	0.32
Fan Speed (with Heat Sink), (RPM)	4100
Heat Sink Material	AL1070
Fan Model No.	HA40101V3-E00U-A99
Safety	UL / CUR / TUV / CE



UNIT: mm