
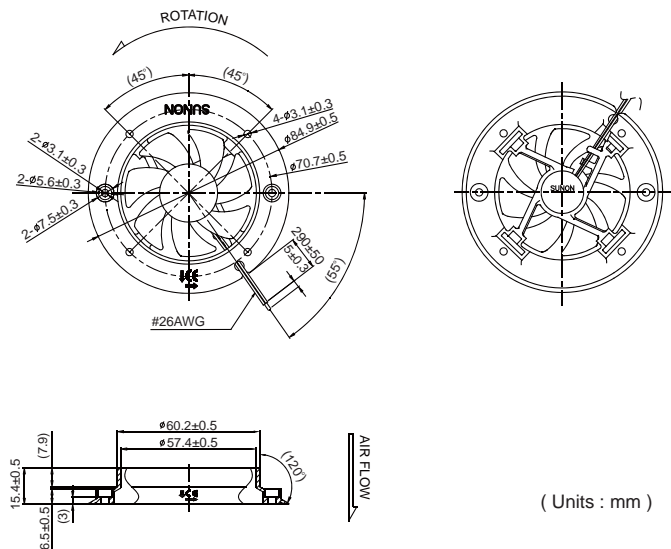
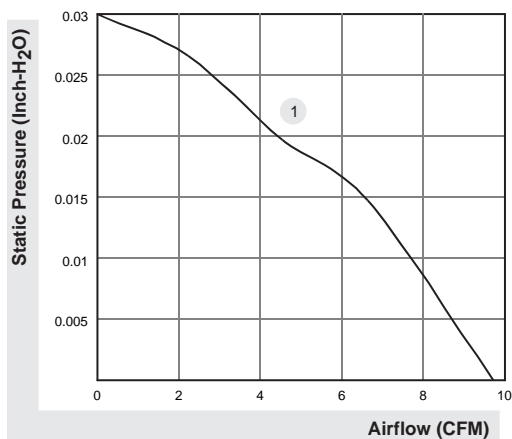


∅ 60X15 mm

9.7 CFM



	Bearing	Rating Voltage (VDC)	Power Current (mA)	Power Consumption (WATTS)	Speed (RPM)	Air Flow (CFM)	Static Pressure (Inch-H ₂ O)	Noise (dBA)	Weight (g)	Curve
	HA60150V3-E03U-A99	● VAPO	5	51	0.26	2300	9.7	0.03	15.4	29.1
HA60151V3-E00U-A99	●	12	23	0.28	2300	9.7	0.03	15.4	29.1	1




*All model could be customized. Please contact with Sunon Sales.

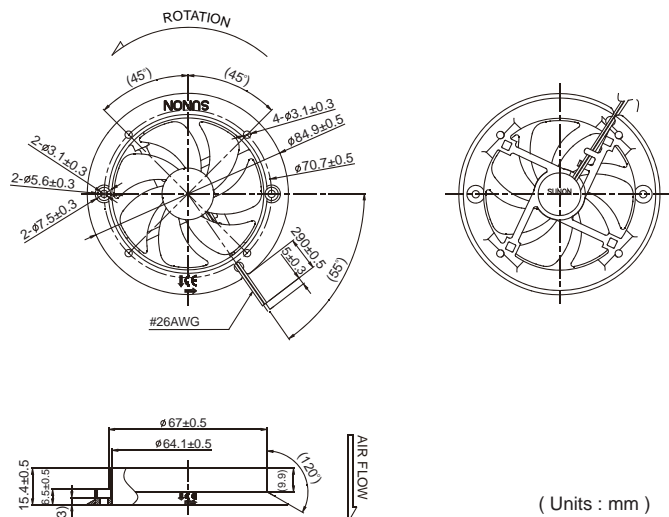
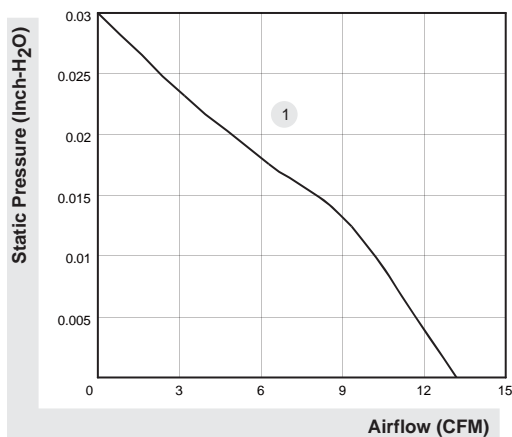
*Specifications are subject to change without notice. Please Visit SUNON web site at <http://www.sunon.com> for update information.

∅ 60X15 mm

13.2 CFM



	Bearing	Rating Voltage (VDC)	Power Current (mA)	Power Consumption (WATTS)	Speed (RPM)	Air Flow (CFM)	Static Pressure (Inch-H ₂ O)	Noise (dBA)	Weight (g)	Curve
	HA60150V3-E02U-A99	● VAPO	5	80	0.40	2300	13.2	0.03	16.1	27.3
HA60151V3-E01U-A99	●	12	28	0.34	2300	13.2	0.03	16.1	27.3	1



(Units : mm)

*All model could be customized. Please contact with Sunon Sales.

*Specifications are subject to change without notice. Please Visit SUNON web site at <http://www.sunon.com> for update information.